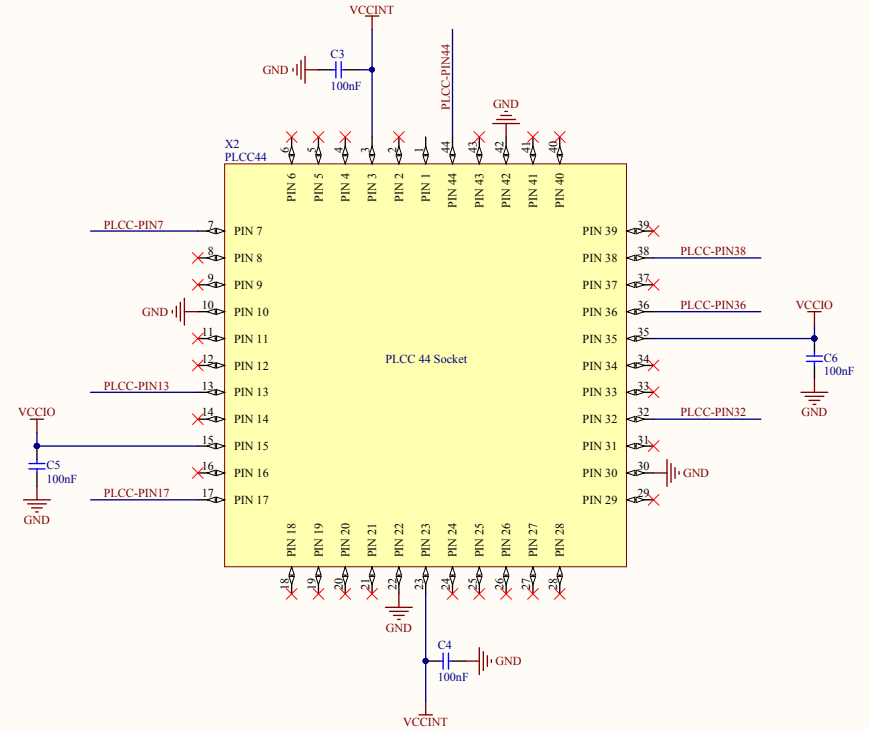
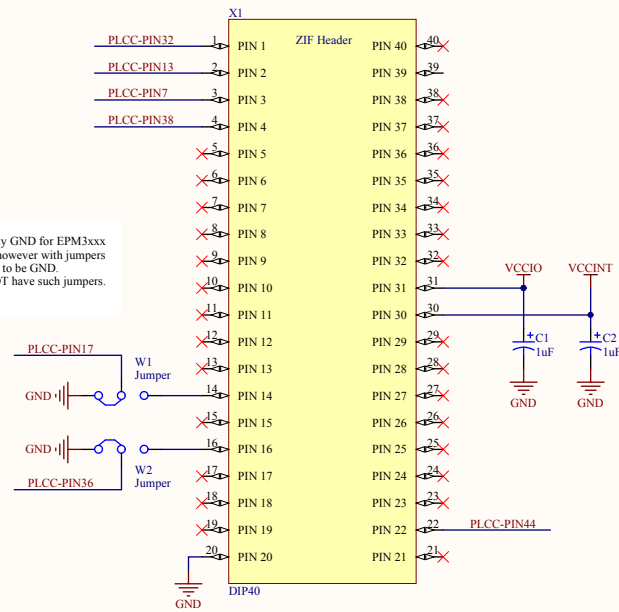


ALL07 is selecting automatically GND for EPM3xxx and I/O for EPM7xxx devices, however with jumpers W1/W2 one can force both pins to be GND. Original ADP-7064AE does NOT have such jumpers.



MAX3000A and MAX7000AE pinout table

Package ->	TQFP44	PLCC44	TQFP100	uBGA49	FBGA100
Signal	EPM3032A EPM3064A	EPM3032A EPM3064A	EPM3064A EPM7064AE	EPM7064AE	EPM7064AE
TDI	1	7	4	B1	A1
TMS	7	13	15	F1	F3
TCK	26	32	62	F7	F8
TDO	32	38	73	B7	F10
OE1/VPP	38	44	88	A4	B6

Title		
ADP-7064AE for HiLo ALLxx		
Size	Number	Revision
B		
Date:	4/8/2014	Sheet of
File:	C:\HiLo\ADP-7064AE.SchDoc	Drawn By: tinhead@eevblog