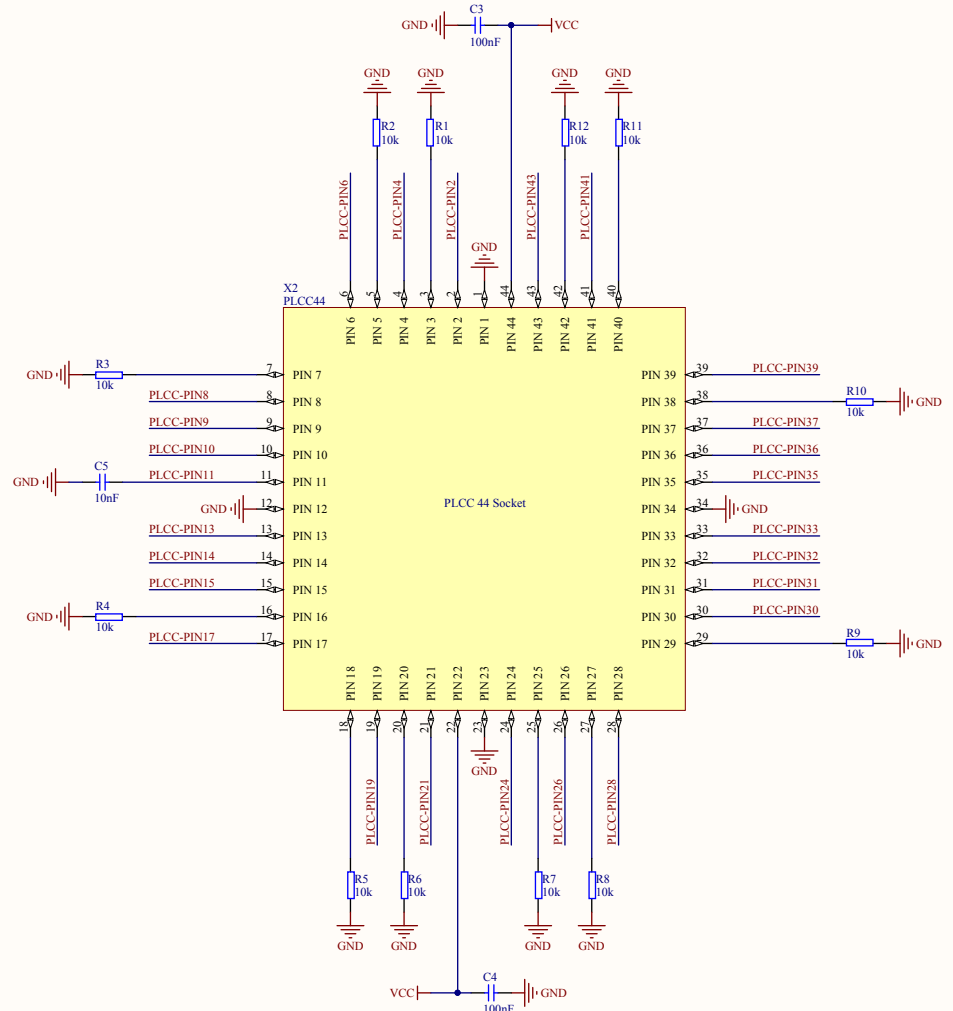


PLCC44 Socket	PIN Function MACH 110	PIN Function MACH 111	PIN Function MACH 210 MACHLV210/A	PIN Function MACH 215	PIN Function M4A(3.5)-32/32 M4A(3.5)-64/32	DIP40 Header
2	PI/O0	RG	SEC	-	-	1
4	PI/O2	RG	-	-	-	3
6	PI/O4	RG	SIO17 (D3)	-	-	5
8	PI/O6	RG	SIO18 (D4)	-	-	7
9	PI/O7	RG	SIO29 (D5)	-	-	8
10	VPP	ENABLE	VPP	VPP	TDI	9
11	MDO	SCLK1	ENABLE	ENABLE	-	10
13	MCLK	VPP	SCKL1	SCKL1	TCK	11
14	PI/O8	RG	MD2	SIO8	-	12
15	PI/O9	RG	SIO9	SIO9	-	13
17	PI/O11	RG	SIO11	-	-	15
19	PI/O13	RG	-	SEC	-	17
21	PI/O15	RG	-	-	-	19
24	PI/O16	RG	-	-	-	21
26	PI/O18	RG	SIO19 (IL)	-	-	23
28	PI/O20	RG	SIO20	SIO5 (D1)	-	25
30	PI/O22	RG	IO22	SIO6 (D2)	-	27
31	PI/O23	RG	SIO30 (D6)	-	-	28
32	MD1	MD2	SCLK2	-	TMS	29
33	MD2	SCLK2	MD1	MD1	-	30
35	PI/O24	MD1/SIGHV	-	SCLK2	TD0	31
38	PI/O27	RG	SIO41 (D7)	-	-	40
37	PI/O25	RG	SIO42 (D8)	-	-	33
39	PI/O27	SEC	(ID)	-	-	35
41	PI/O29	RG	(ID)	-	-	37
43	PI/O31	RG	-	-	-	39
22,44	VCC	VCC	VCC	VCC	VCC	32
1,12,23,34	GND	GND	GND	GND	GND	20
3,5,7,16,18,20,25,27,29,38,40,42	PULLDOWN	PULLDOWN	PULLDOWN	PULLDOWN	PULLDOWN	-



Title		
ADP-MACH for HiLo ALLxx		
Size	Number	Revision
B		
Date:	3/3/2014	Sheet of
File:	C:\HiLo\ADP-MACH SchDoc	Drawn By: tinhead@eevblog