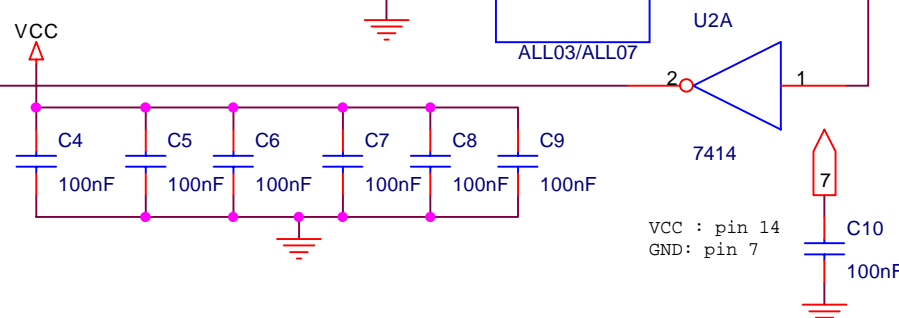
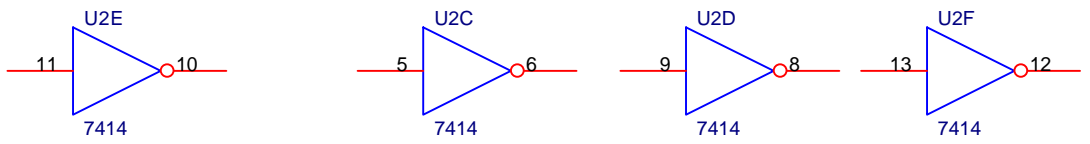
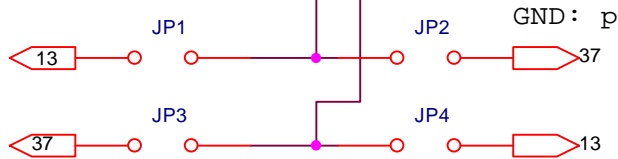


MACH130/LCC
 VCC : pin 2, 21, 42, 44, 63, 84
 GND: pin 1, 11, 22, 32, 43, 53, 64, 74

JP1, JP3 ON = MACH130/230
 JP2, JP4 ON = MACH435



Title ADP-MACH1 ADAPTER For Hilo ALL-03/ALL-07		
Size A	Document Number <Doc>	Rev <RevCode>
Date: Sunday, July 21, 2013	Sheet 1	of 1