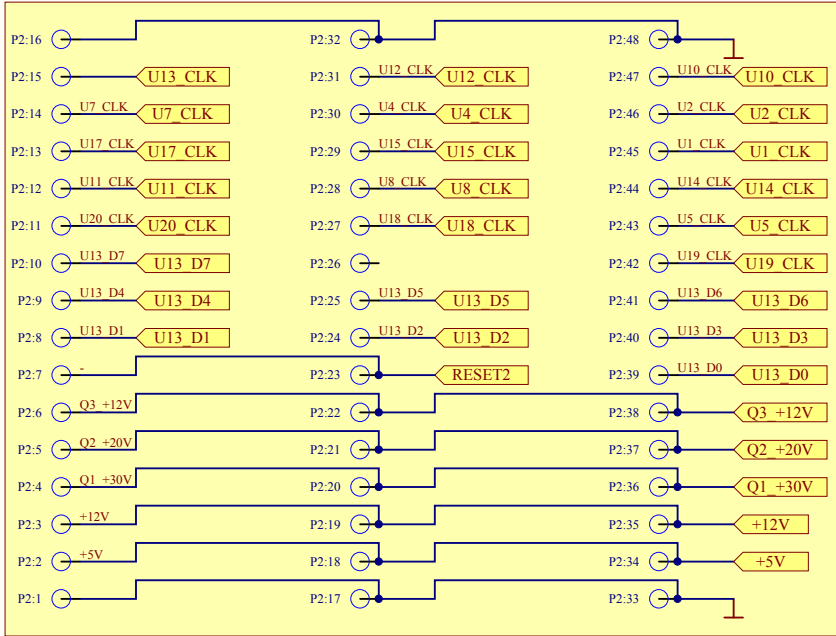


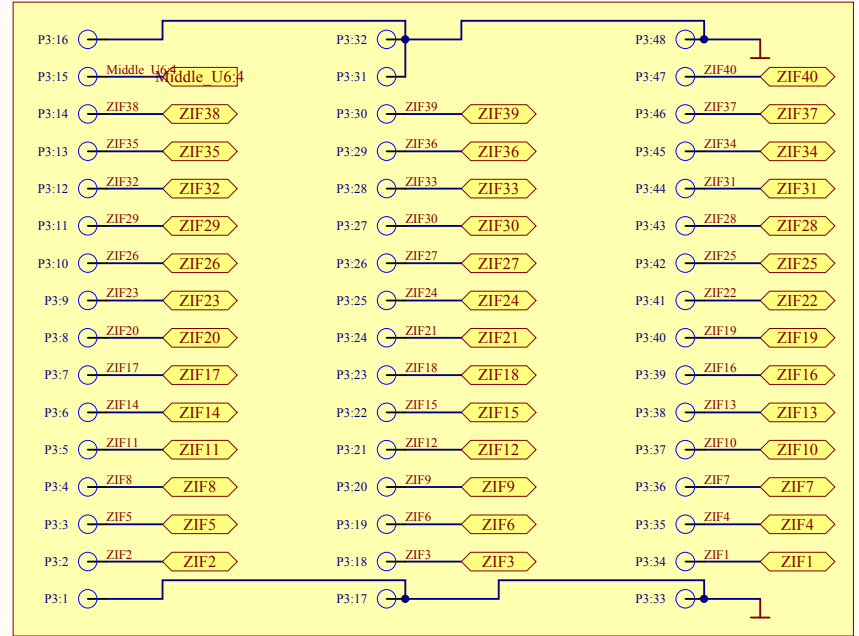
Title Main command		
Size: A3	Number:	Revision: 1.0
Date: 22/09/2014	Time: 9:10:56	Sheet of
File: C:\Tmp\HILo-ALL-07\Lower Command.SchDoc		



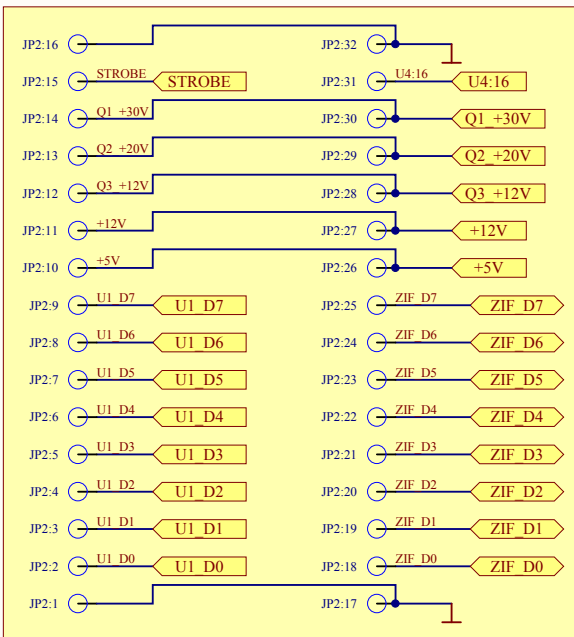
P2



P3



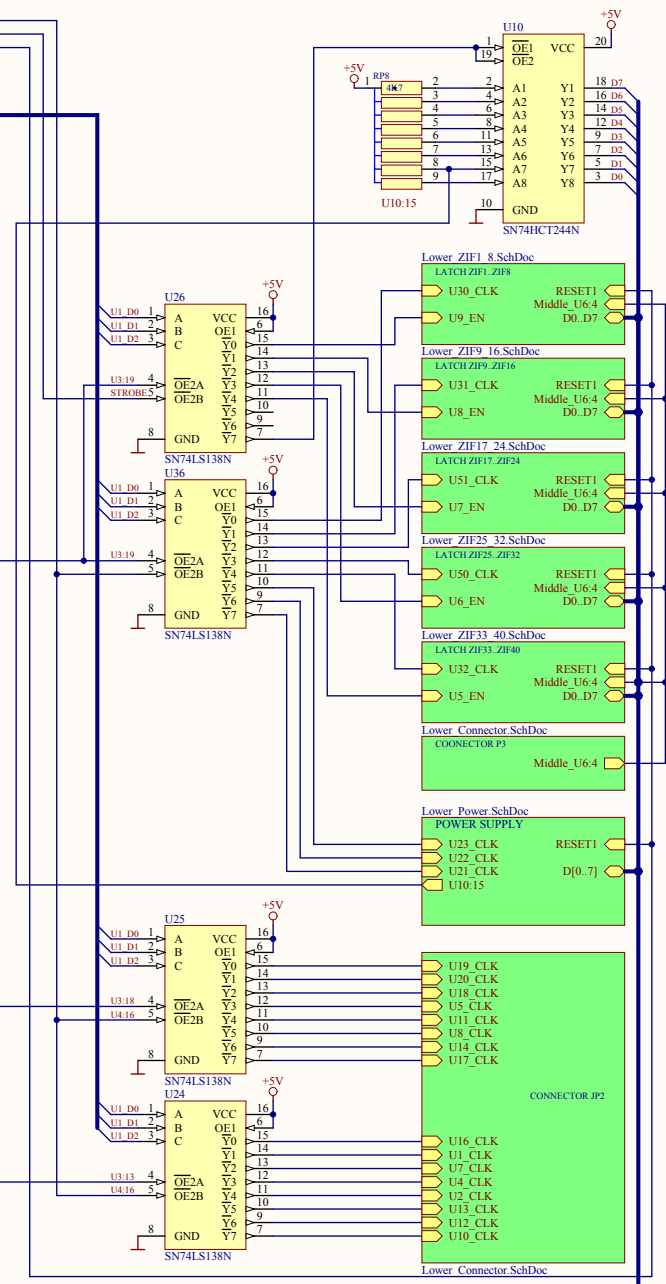
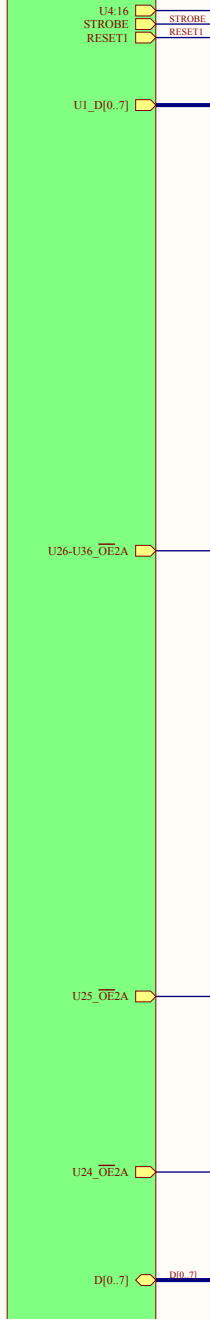
JP2



Title Lower connectors			BERNARD * * * *
Size: A4	Number: *	Revision: 1.0	
Date: 22/09/2014	Time: 9:10:59	Sheet * of *	
File: C:\Tmp\HiLo-ALL-07\Lower Connector.SchDoc			

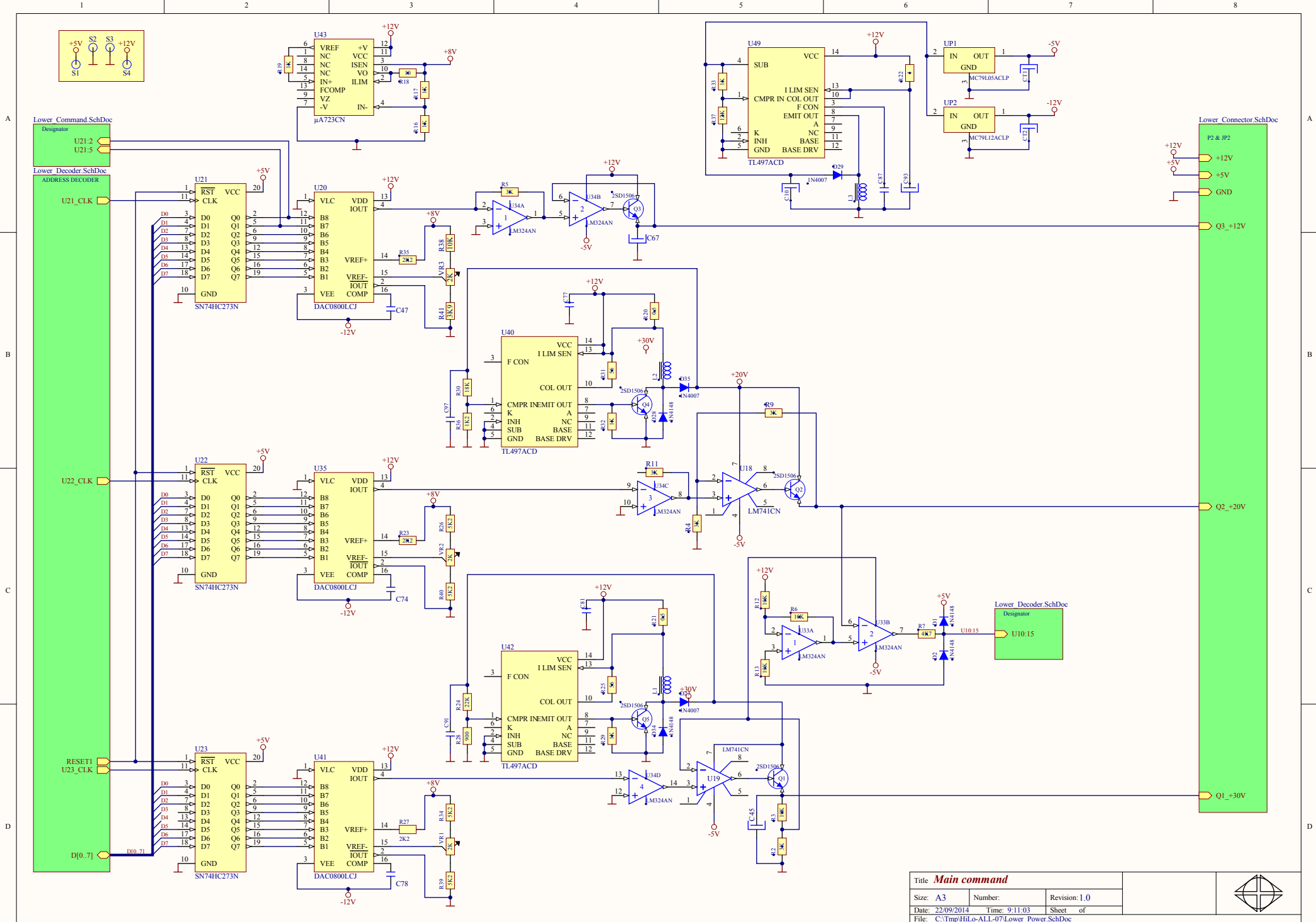


Lower_Command
Essai_Lower_Command_SchDoc



Title Main command		
Size: A3	Number:	Revision: 1.0
Date: 22/09/2014	Time: 9:11:01	Sheet of
File: C:\Tmp\HILo-ALL-07\Lower_Decoder_SchDoc		





Title Main command		
Size: A3	Number:	Revision: 1.0
Date: 22/09/2014	Time: 9:11:03	Sheet of
File: C:\Temp\HILo-ALL-07\Lower Power SchDoc		

